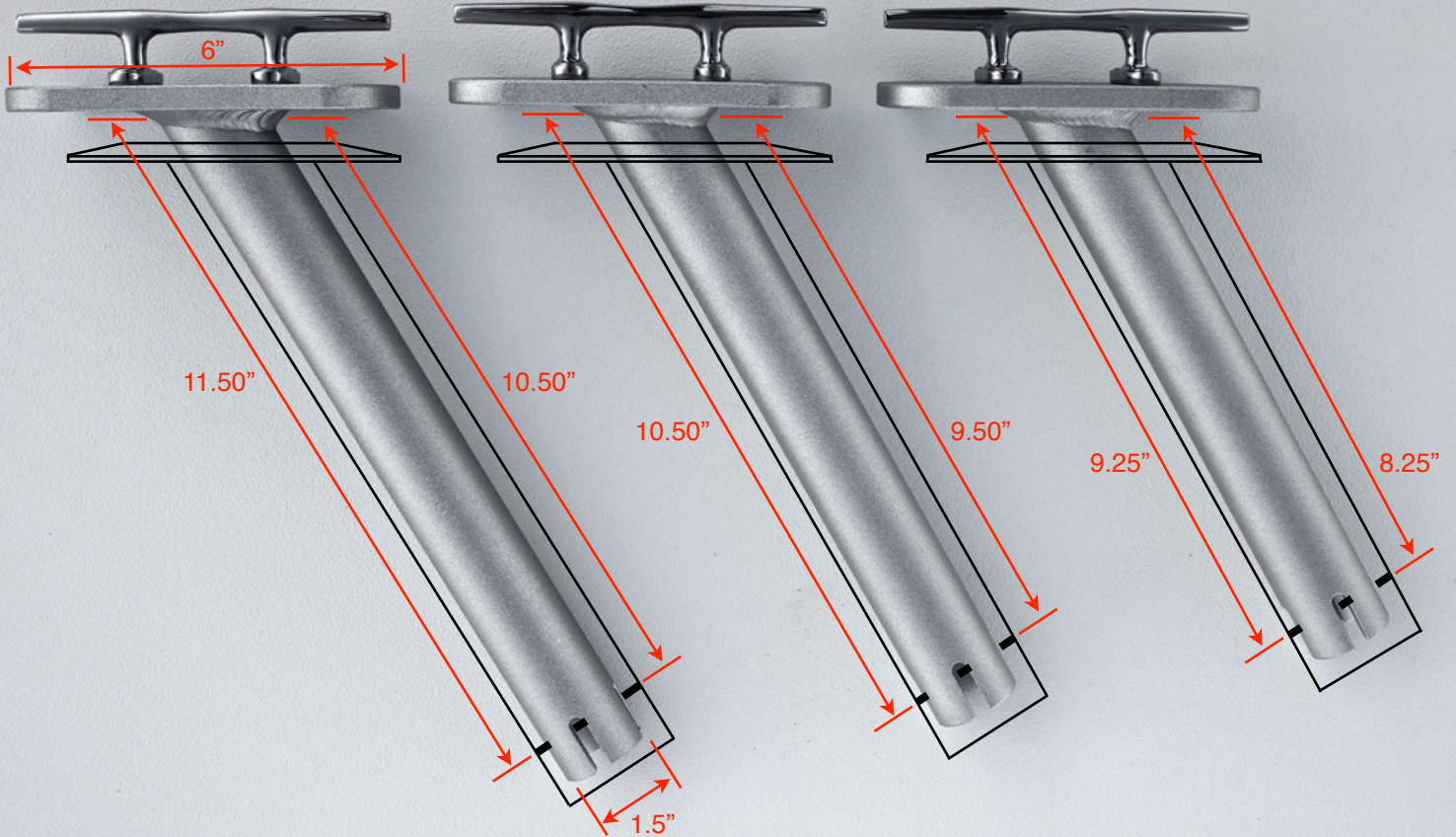


Model RHGC14

Model RHGC12

Model RHGC10



## To Determine Which Version Will Fit Best

Measure the distance from the pin at the bottom of your rod holder to the top of rod holder.

If you measure about 10.25" go with the larger version, model RHGC14.

If you measure about 9.25" go with the middle version, model #RHGC12.

If you measure about 8" go with the smallest version, model #RHGC10.

Ideally, when the EliteCleat is locked into the pin at the bottom of the rod holder, it should only stick out above the top of the rod holder by about 1/2".

If In doubt. Always go with the larger version.